



# INSTALLATION GUIDE

Thank you for choosing a B-PWR product, designed by passionate riders who focus on what users really need.

## 1. SAFETY INSTRUCTIONS

To avoid any unfortunate situations, we recommend that you get to know how your modified vehicle handles before using it in extreme conditions.

Read all the instructions carefully before installing this product.

If you do not have the tools or technical knowledge needed to ensure proper installation, have the product installed by an authorized dealer.

### ⚠ WARNING

It is essential that you follow the installation procedures, possess general mechanical knowledge and use appropriate tools to ensure a safe and reliable installation.

Improper use or installation of the product, or any modifications made to adapt the product for use in a context other than that for which it was intended, voids the warranty and may result in **SERIOUS INJURIES**.

B-PWR and all its affiliated companies, as well as its suppliers and distributors, are not responsible for any consequences whatsoever resulting from an incorrect installation or an improper use of the product.

This guide provides detailed instructions for installing the product.

### AVAILABLE KIT

RBG4M-154, RBG4M-165, RBG4-HC-175

### COMPATIBILITY

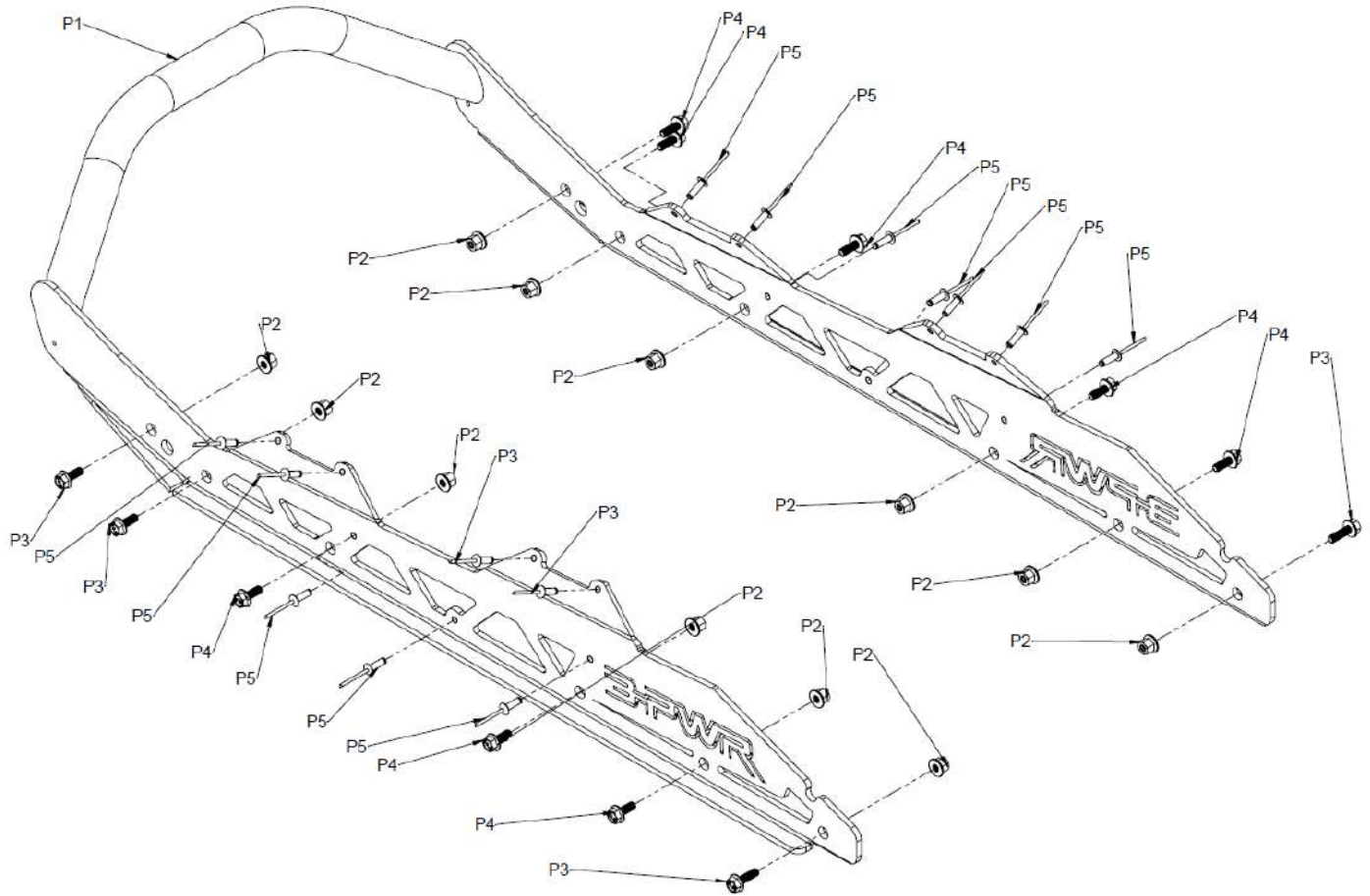
Ski-Doo platform G4

### ⚠ WARNING

For safety reasons, this kit needs to be installed by a person with general mechanical knowledge using the proper tools.

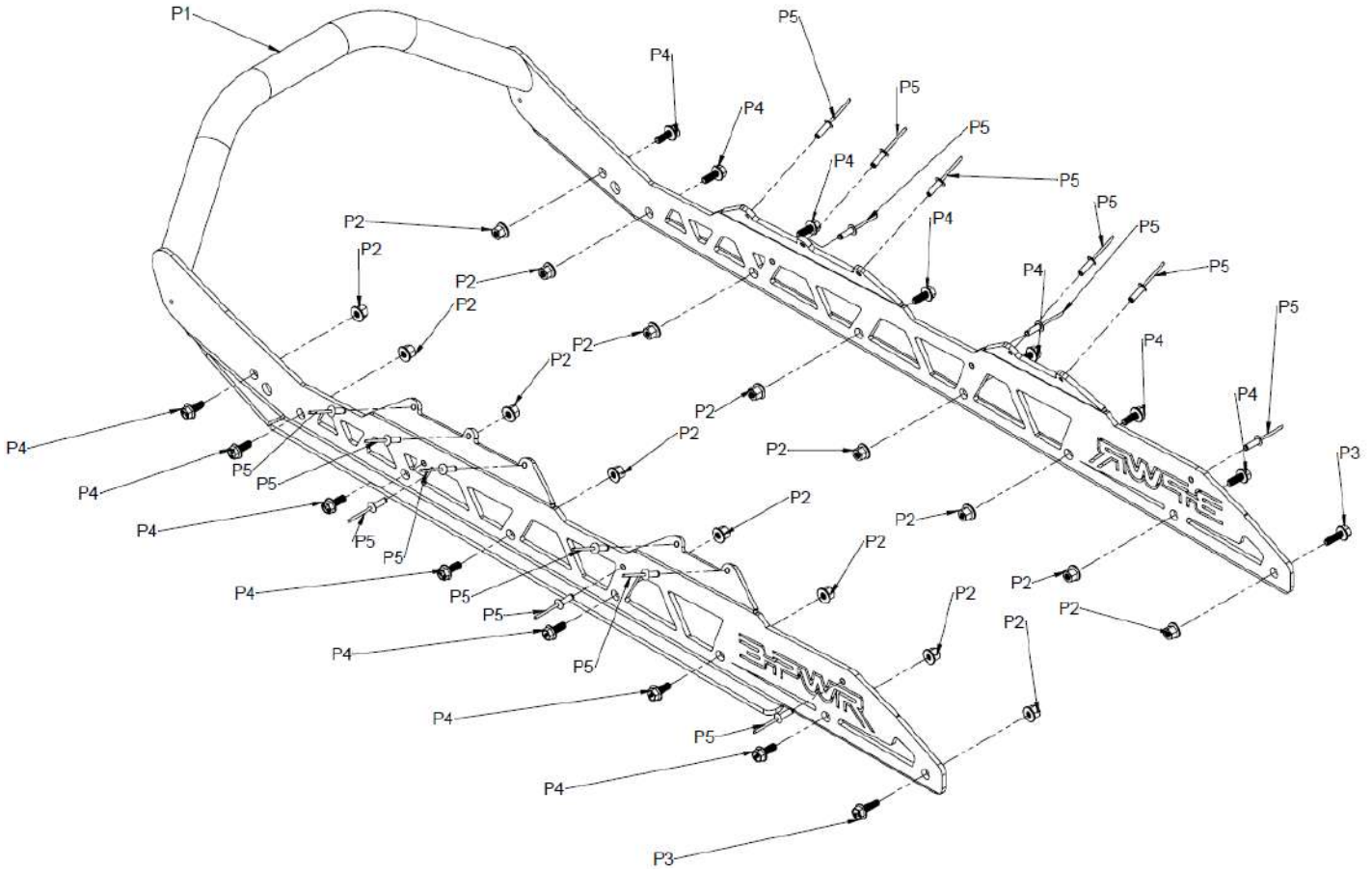
The illustrations in this document indicate the typical structure of the various assemblies. It is therefore possible that they do not represent the exact form of the parts or the manufacturing details. These illustrations are intended to identify parts that perform an identical or similar function.

## 2. PARTS– RBG4M-154



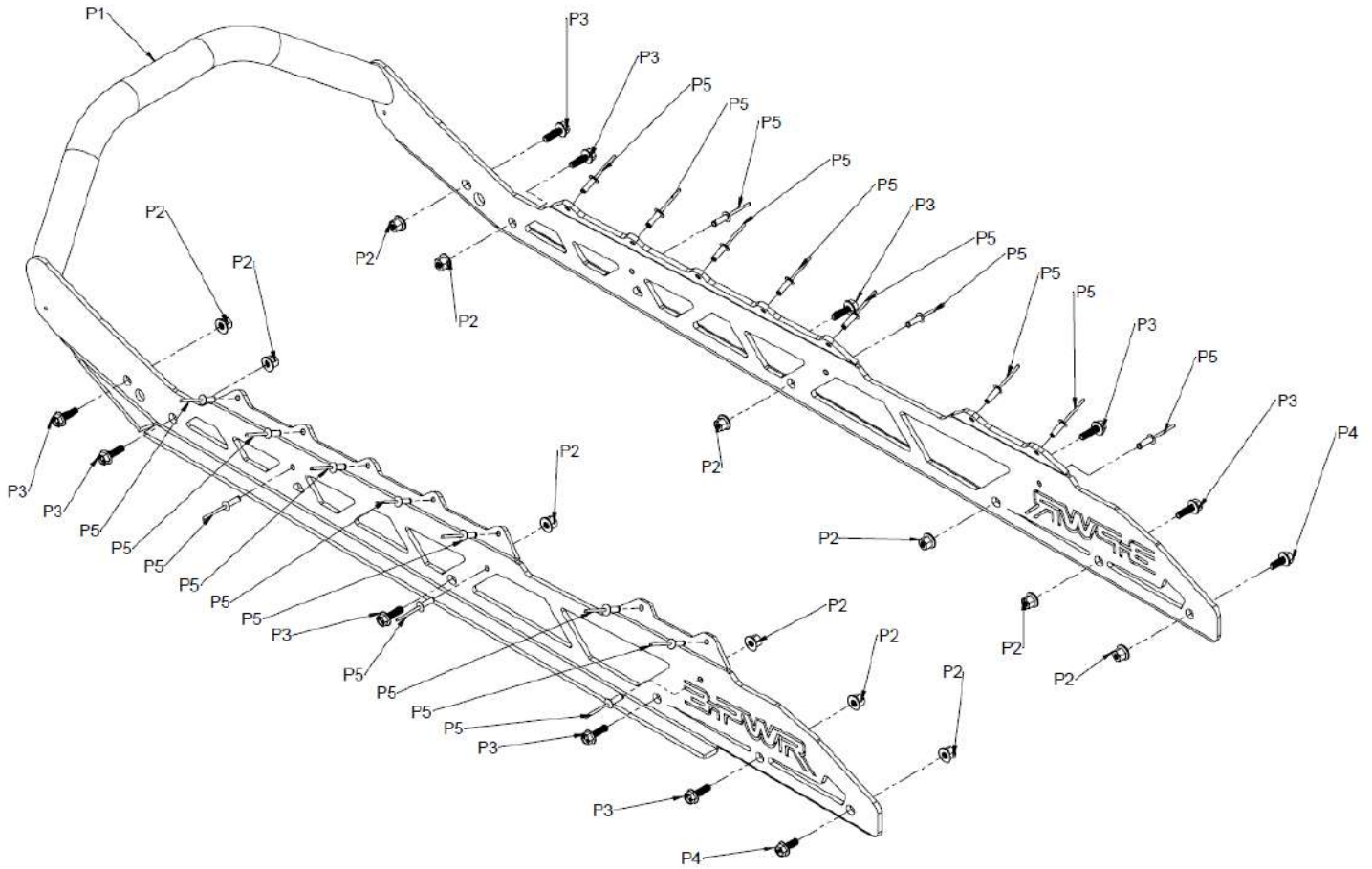
PIECE	DESCRIPTION	QTY	PARTS NUMBERS
P1	Rear bumper	1	K05-RBG4-M-154
P2	M6-1.0 hexagonal nylon lock nut	12	
P3	Blind rivet AB6-6A, 3/16 diameter, thickness ,250-,375	14	
P4	M6-1.0 X 20mm hexagonal flange screw	10	
P5	M6-1.0 x 16mm hexagonal flange screw	2	

# RBG4M-165



PIECE	DESCRIPTION	QTY	PARTS NUMBERS
P1	Rear bumper	1	
P2	M6-1.0 hexagonal nylon lock nut	12	K05-RBG4M-165
P3	M6-1.0 X 20mm hexagonal flange screw	2	
P4	M6-1.0 x 16mm hexagonal flange screw	10	
P5	Blind rivet AB6-6A, 3/16 diameter, thickness ,250-,375	16	

# RBG4-HC-175



PIECE	DESCRIPTION	QTY	PARTS NUMBERS
P1	Rear bumper G4 Mountain edition 165 Black	1	K05-RBG4-HC-175
P2	M6-1.0 hexagonal nylon lock nut	12	
P3	M6-1.0 X 20mm hexagonal flange screw	2	
P4	M6-1.0 x 16mm hexagonal flange screw	10	
P5	Blind rivet AB6-6A, 3/16 diameter, thickness ,250-,375	18	

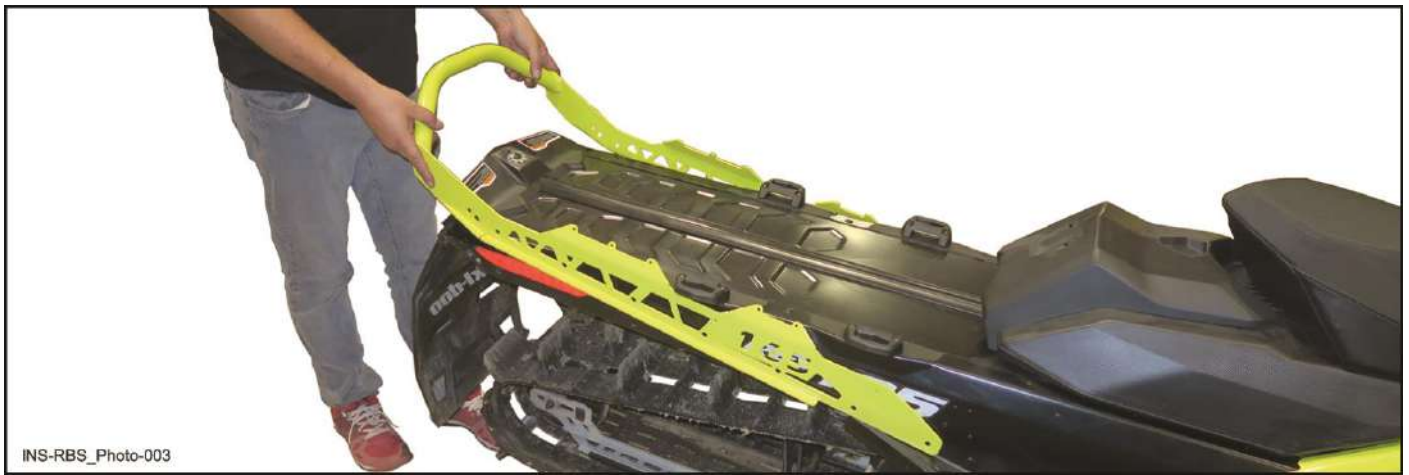
### 3. VEHICLE PREPARATION

- 3.1 Read all the instructions carefully before installing the product.
- 3.2 Make sure you have enough space to work properly.
- 3.3 Make sure to have the required tools.
- 3.4 Refer to vehicle owner's manual for removal of various panels and other parts.

### 4. INSTRUCTIONS

*Note: Unless differences occur between left hand (LH) and right hand (RH) sides, the procedures are shown for only one side of the vehicle. Repeat for other side. Right and left sides are defined as when sitting on the vehicle.*

- 4.1 Slide rear bumper [P1] in position on vehicle as shown.



- 4.2 Install rear bumper [P1] with M6 X 20 mm hexagonal flanged screw [P4], one (1) M6 X 16 mm hexagonal flanged screw [P3] at front of vehicle and M6 nylon lock nut [P2].

*Note : Use holes already present in tunnel.*



5.3 Tighten to specification M6 nylon lock nut [P2].



TIGHTENING TORQUE	
M6 Nylon Lock Nut [P2]	10 N•m ± 2 N•m

4.4 Drill eight rivet holes in tunnel using bumper as a template with drill bit 3/16" as shown.



4.5 Secure bumper with 3/16" rivet [P5] in previously drilled holes as shown.

