



INSTALLATION GUIDE

Thank you for choosing a B-PWR product, designed by passionate riders who focus on what users really need.

1. SAFETY INSTRUCTIONS

To avoid any unfortunate situations, we recommend that you get to know how your modified vehicle handles before using it in extreme conditions.

Read all the instructions carefully before installing this product.

If you do not have the tools or technical knowledge needed to ensure proper installation, have the product installed by an authorized dealer.

⚠ WARNING

It is essential that you follow the installation procedures, possess general mechanical knowledge and use appropriate tools to ensure a safe and reliable installation.

Improper use or installation of the product, or any modifications made to adapt the product for use in a context other than that for which it was intended, voids the warranty and may result in **SERIOUS INJURIES**.

B-PWR and all its affiliated companies, as well as its suppliers and distributors, are not responsible for any consequences whatsoever resulting from an incorrect installation or an improper use of the product.

This guide provides detailed instructions for installing the product.

AVAILABLE KIT

PSSRB

COMPATIBILITY

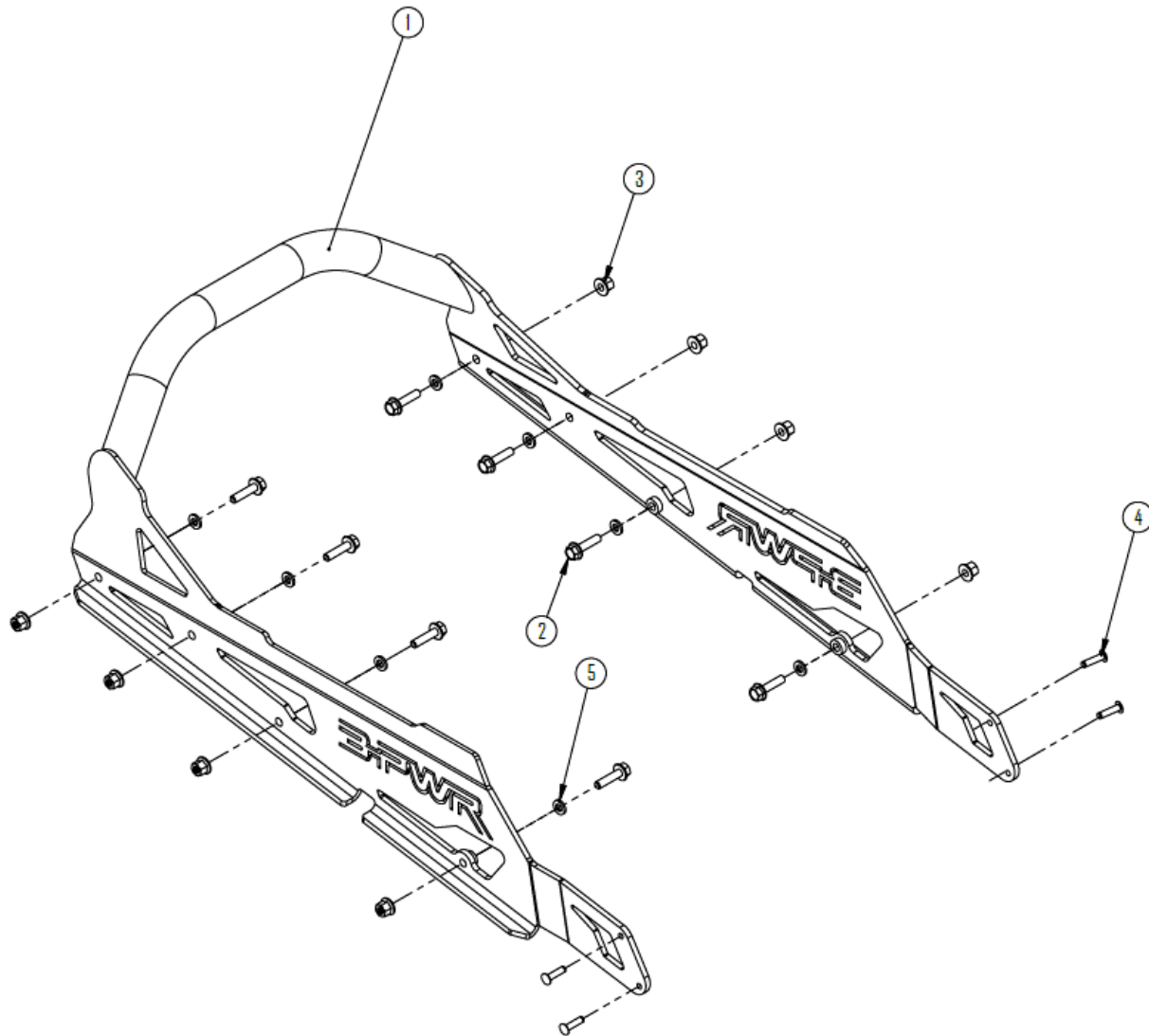
Polaris Switchback Axys and Polaris Switchback Matryx, Polaris Pro RMK Axys 146", Polaris SKS Axys

⚠ WARNING

For safety reasons, this kit needs to be installed by a person with general mechanical knowledge using the proper tools.

The illustrations in this document indicate the typical structure of the various assemblies. It is therefore possible that they do not represent the exact form of the parts or the manufacturing details. These illustrations are intended to identify parts that perform an identical or similar function.

2. PARTS– PSSRB



PIECE	DESCRIPTION	QTY	PARTS NUMBERS
P1	Rear bumper	1	06-0009
P2	Flanged hex cap screw M6 x 25 mm	8	K05-PSSRB
P3	Flanged nylon lock nut M6	8	
P4	Blind rivet AB6-6A, 3/16 diameter, thickness ,250-,375	4	
P5	M6 flat washer	8	

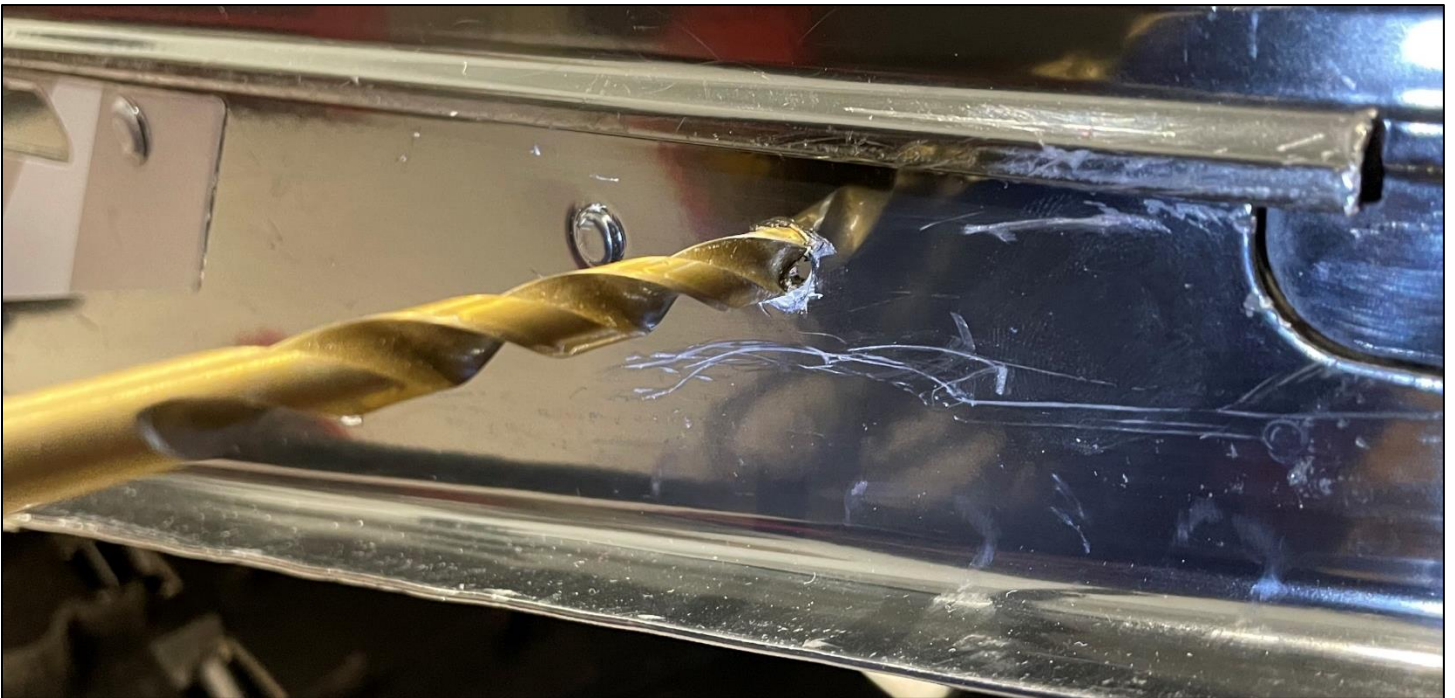
3. VEHICLE PREPARATION

- 3.1 Read all the instructions carefully before installing the product.
- 3.2 Make sure you have enough space to work properly.
- 3.3 Make sure to have the required tools.
- 3.4 Refer to vehicle owner's manual for removal of various panels and other parts.

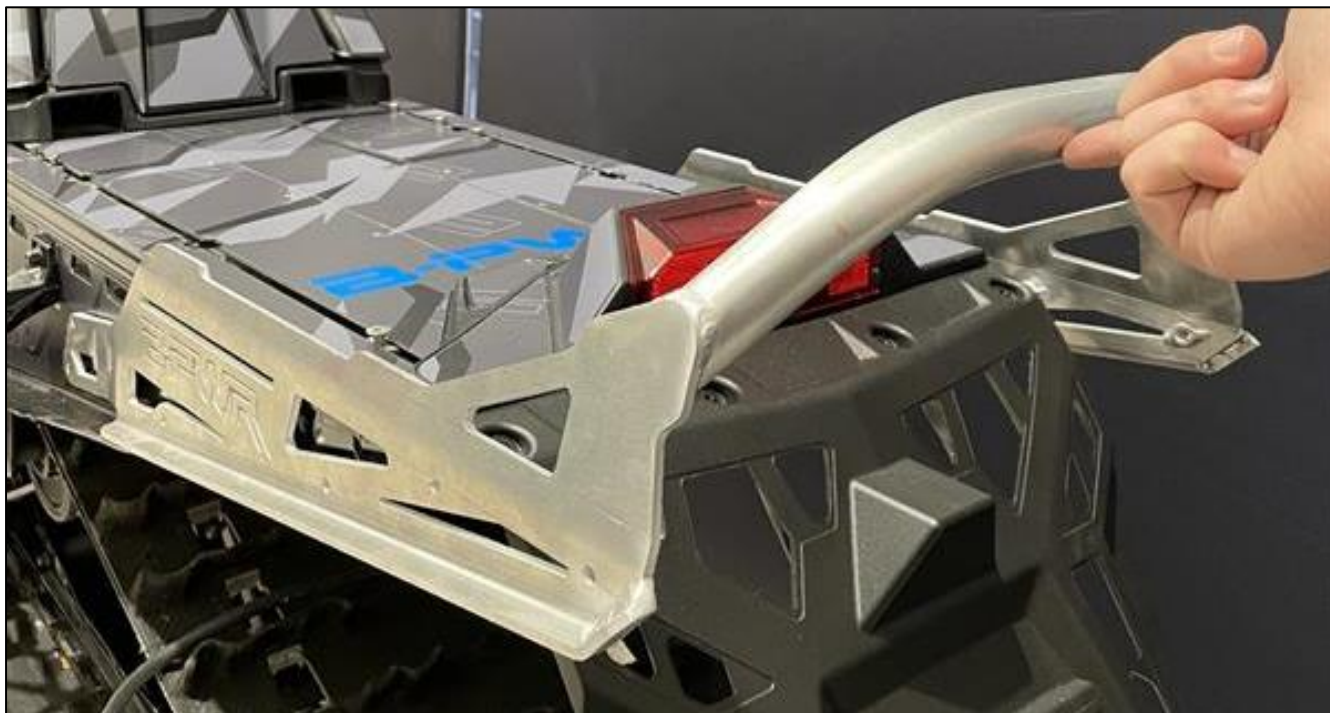
4. INSTRUCTIONS

Note: Unless differences occur between left hand (LH) and right hand (RH) sides, the procedures are shown for only one side of the vehicle. Repeat for other side. Right and left sides are defined as when sitting on the vehicle.

- 4.1 With the help of a drill and a 5/16" drill bit, remove the existing rivets, as shown below.



4.2 Slide rear bumper [P1] in position on vehicle as shown.



4.4 Locate rear bumper [P1] with flanged hex head screw [P2], flat washer [P5], and lock nut [P3]. Hand tighten only.



4.5. Tighten to specification lock nut [P3]

TIGHTENING TORQUE	
M6 Nylon Lock Nut [P3]	10 N•m ± 2 N•m



4.6. Drill holes in front of the tunnel using bumper as a template with drill bit 3/16" as shown.



4.7 Secure front of bumper with rivets [P4] in previously drilled holes as shown and using hand riveter.



End of installation