



# INSTALLATION GUIDE

Thank you for choosing a B-PWR product, designed by passionate riders who focus on what users really need.

## 1. SAFETY INSTRUCTIONS

To avoid any unfortunate situations, we recommend that you get to know how your modified vehicle handles before using it in extreme conditions.

Read all the instructions carefully before installing this product.

If you do not have the tools or technical knowledge needed to ensure proper installation, have the product installed by an authorized dealer.

### ⚠ WARNING

It is essential that you follow the installation procedures, possess general mechanical knowledge and use appropriate tools to ensure a safe and reliable installation.

Improper use or installation of the product, or any modifications made to adapt the product for use in a context other than that for which it was intended, voids the warranty and may result in **SERIOUS INJURIES**.

B-PWR and all its affiliated companies, as well as its suppliers and distributors, are not responsible for any consequences whatsoever resulting from an incorrect installation or an improper use of the product.

This guide provides detailed instructions for installing the product.

### AVAILABLE KIT

RB4, PPRRB

### COMPATIBILITY

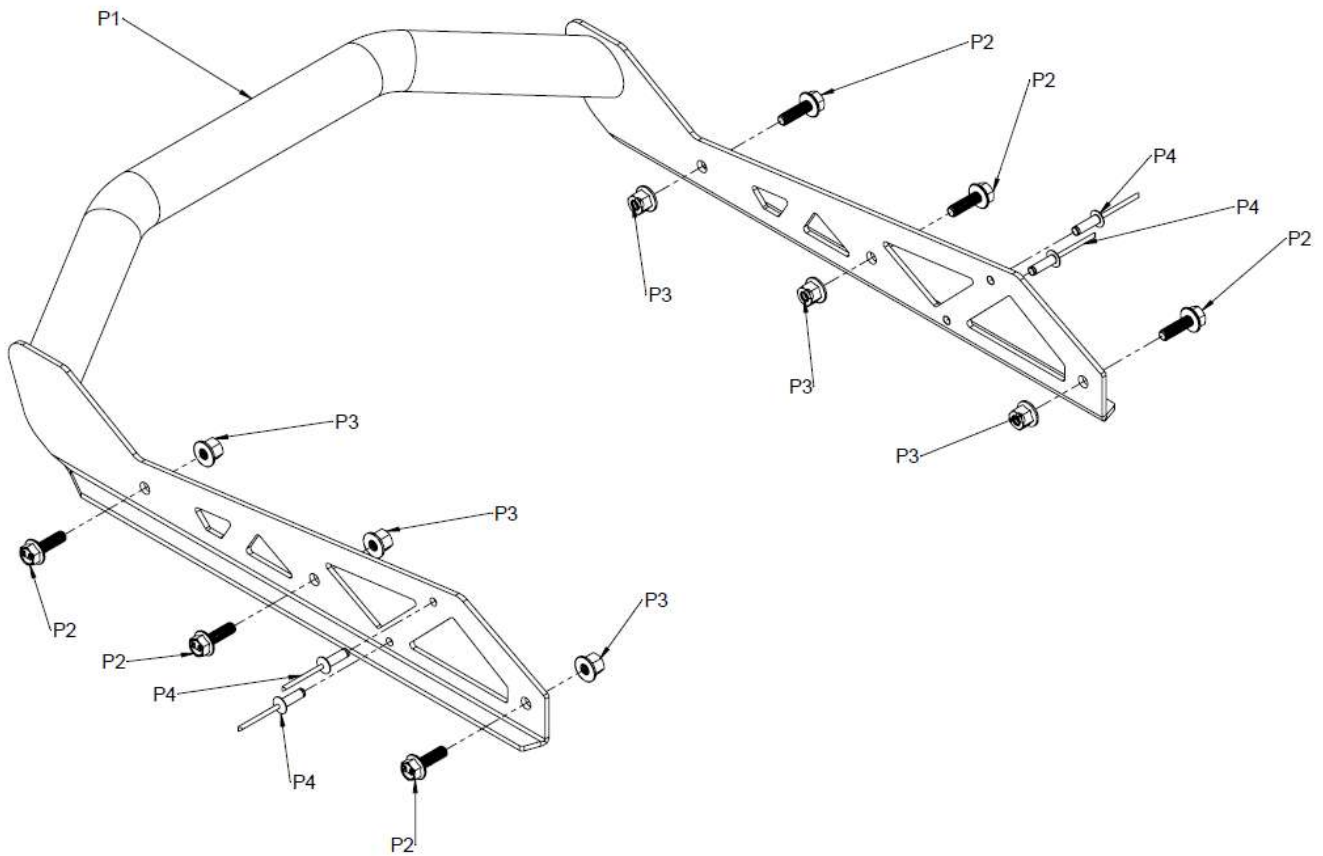
Polaris platform Pro Ride

### ⚠ WARNING

For safety reasons, this kit needs to be installed by a person with general mechanical knowledge using the proper tools.

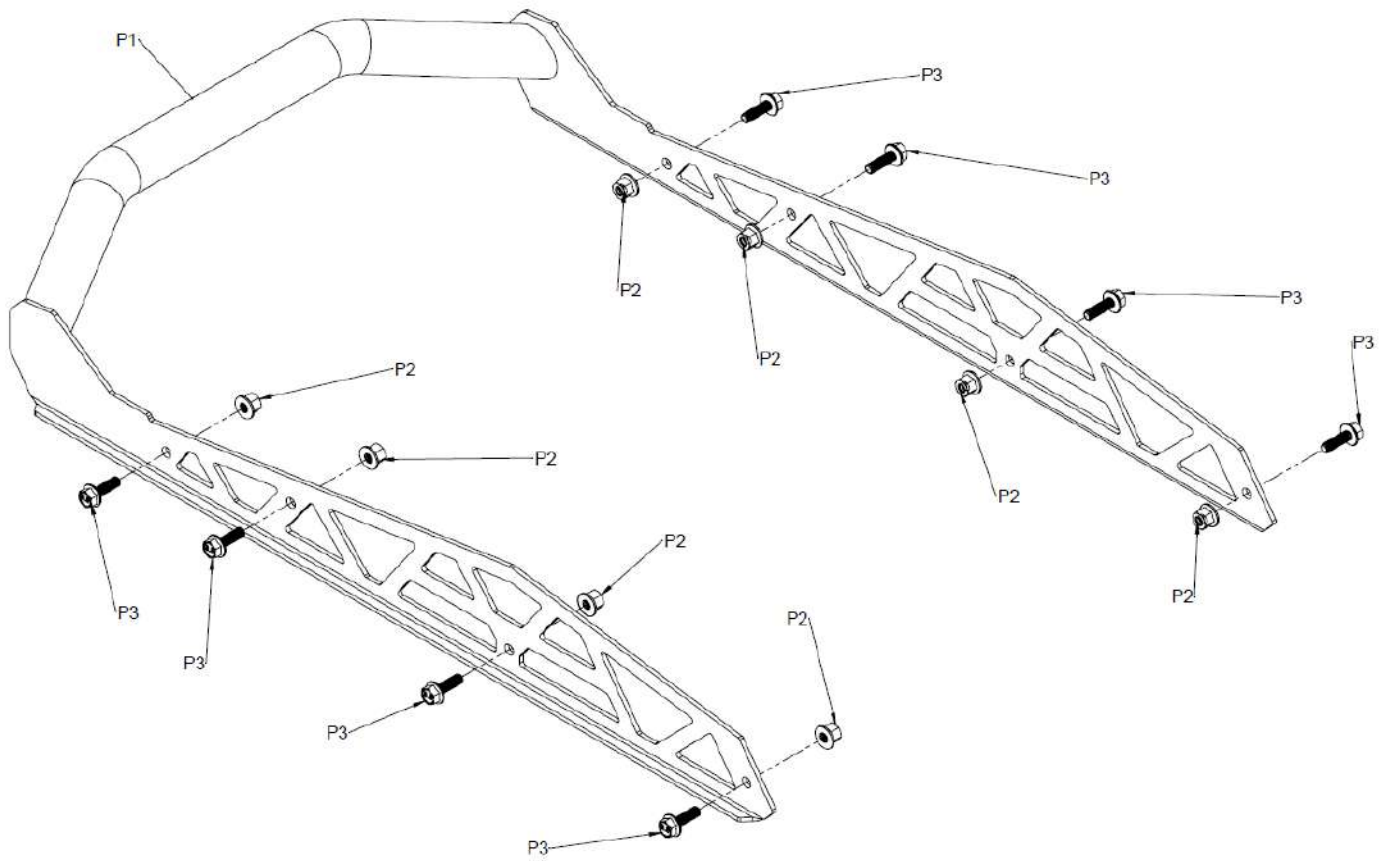
The illustrations in this document indicate the typical structure of the various assemblies. It is therefore possible that they do not represent the exact form of the parts or the manufacturing details. These illustrations are intended to identify parts that perform an identical or similar function.

## 2. PARTS- RB4



PIECE	DESCRIPTION	QTY	PARTS NUMBERS
P1	Rear bumper	1	
P2	M6-1.0 hexagonal nylon lock nut	6	K05- RB4
P3	M6-1.0 X 20mm hexagonal flange screw	6	
P4	Blind rivet AB6-6A, 3/16 diameter, Thickness: .250 - .375	4	

# PPRRB



PIECE	DESCRIPTION	QTY	PARTS NUMBERS
P1	Rear bumper	1	
P2	M6-1.0 hexagonal nylon lock nut	8	K05-PPRRB
P3	M6-1.0 X 20mm hexagonal flange screw	8	

### 3. VEHICLE PREPARATION

- 3.1 Read all the instructions carefully before installing the product.
- 3.2 Make sure you have enough space to work properly.
- 3.3 Make sure to have the required tools.
- 3.4 Refer to vehicle owner's manual for removal of various panels and other parts.

### 4. INSTRUCTIONS

*Note: Unless differences occur between left hand (LH) and right hand (RH) sides, the procedures are shown for only one side of the vehicle. Repeat for other side. Right and left sides are defined as when sitting on the vehicle.*

- 4.1 Slide rear bumper [P1] in position on vehicle as shown.

*Note: If there are rivets at the bumper anchor points, remove them.*



- 4.2 Locate rear bumper [P1] with M6 X 20 mm hexagonal flanged screw [P3] and M6 nylon lock nut [P2]. Hand tighten only.



4.6 Secure rear of bumper with M6 X 16 mm hexagonal flange screw [P3] and M6 nylon lock nut [P2] in previously drilled holes as shown. Tighten to specification.



TIGHTENING TORQUE	
M6 Nylon Lock Nut [P2]	10 N•m ± 2 N•m